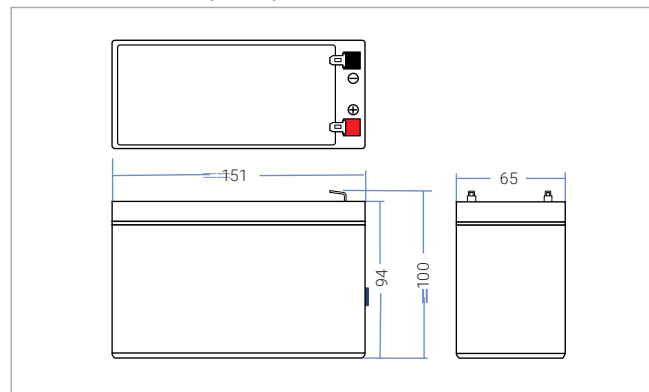


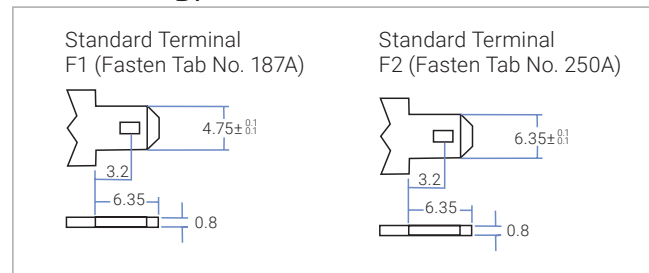
AGM04 12V/7.0Ah



Dimensions (mm)



Terminal Type



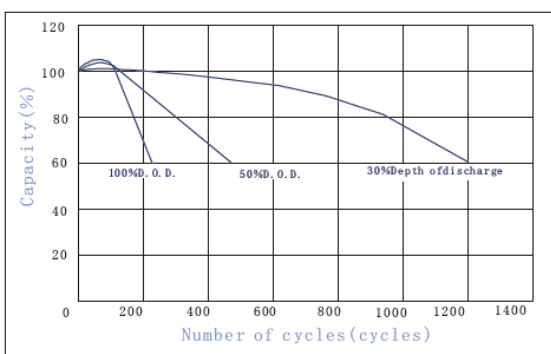
Electrical Specification

Capacity 25°C (77° F)	20hour rate(0.35A)	7.0Ah
	27min rate(7.0A)	3.15Ah
	7min rate(21A)	2.45Ah
Capacity Affected by Temperature (20hour rate)	40°C (104° F)	102%
	25°C (77° F)	100%
	0°C (32° F)	85%
	-15°C (5° F)	65%
Internal Resistance	full charged battery 77° F (25°C)	25mΩ
	Self-Discharge at 25°C (77° F)	Capacity after 3month storage: 91% Capacity after 6month storage: 82% Capacity after 12 month storage: 64%
Charge (constant Voltage)	Cycle	Initial Charging Current less than 2.1A Voltage 14.40-14.90V
	Float	Voltage 13.50-13.80V

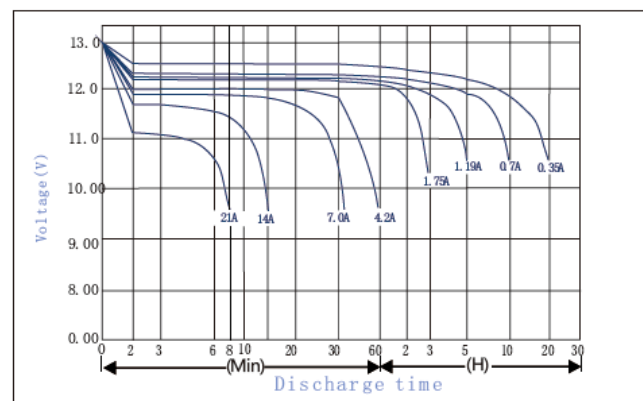
Physical specification

Nominal Voltage	12V	
Nominal Capacity (20HR)	7.0AH	
Dimensions	Length	151±1mm (5.95 inches)
	Width	65±1mm (2.56 inches)
	Container Height	94±2mm (3.70 inches)
	Total height	100±2mm (3.94 inches)
Weight	Approx 2.0kg (4.4 lbs)	
Standard Terminal	F1/F2	

Cycle service life in relation to depth of discharge



Discharge Characteristics after fully charged (25°C, 77°F)



Constant Current (Amp) and Constant Power (watt) Discharge Table at 25°C, (77°F)

time		5min	10min	15min	30min	1h	2h	3h	4h	5h	10h	20h
9.60V	A	27.02	17.09	13.53	7.50	4.62	2.53	1.83	1.46	1.24	0.67	0.36
	W	301.65	192.55	153.77	85.95	53.43	29.42	21.42	17.27	14.72	7.94	4.31
9.90V	A	26.18	16.57	13.18	7.31	4.52	2.50	1.80	1.44	1.23	0.66	0.36
	W	292.38	186.70	149.84	83.81	52.23	29.11	21.10	17.03	14.56	7.92	4.30
10.20V	A	24.99	15.83	12.69	7.12	4.41	2.47	1.77	1.42	1.21	0.66	0.36
	W	279.19	178.48	144.32	81.67	51.03	28.79	20.78	16.78	14.40	7.89	4.28
10.50V	A	23.80	15.10	12.20	6.93	4.31	2.43	1.76	1.41	1.20	0.66	0.35
	W	265.99	170.26	138.80	79.53	49.83	28.31	20.62	16.63	14.24	7.87	4.18
10.80V	A	22.50	14.21	11.50	6.67	4.18	2.37	1.71	1.37	1.16	0.64	0.34
	W	251.53	160.29	130.88	76.58	48.39	27.67	20.05	16.22	13.74	7.64	4.10